

Series 653 Ratchet Lever hoist

As part of our commitment to bring best-in-class products to market, we are continuously looking to improve existing products. Our popular CM Series 653 ratchet lever hoist has been redesigned with a shorter handle. This modest modification makes a world of difference. Ideal for confined work areas, the Series 653 3/4 and 1-1/2 ton models are now some of the most nimble and easiest to operate hoists on the market today.

CAPACITIES & LIFT

3/4 & 1-1/2 Ton capacities (new shorter handle). 3 & 6 Ton capacities (standard handle). Metric Rated. Standard Lift up to 20 feet.

COMPACT & PORTABLE DESIGN

Take this rugged hoist anywhere. Easily transported and rigged even in the smallest work spaces.

FREE CHAINING

Single-handed free chaining feature allows for quick take up and positioning of slack chain. Designed not to accidentally free chain while under load.

360° ROTATING HANDLE

Full rotation of handle allows for versatile rigging options when working in confined spaces.

RUGGED DESIGN

Impact resistant stamped steel frame and gear cover withstands repeated rigorous use.

BUILT TO LAST

Zinc plated hardened steel chain provides strength and longer wear life which translates to less down time.

POSITIVE LOAD CONTROL

Enclosed Weston type load brake stays clean and dry for positive load positioning.

LOAD CONTROL

Double pawl design ensures that one pawl will be engaged at all times for reliable load control.

SAFE & SECURE

Standard heavy duty forged safety latches on hooks provide positive and secure load engagement.

CORROSION RESISTANT

Standard powder coat finish for extra protection against corrosion when working in harsh environments.

NON-SLIP RUBBER HANDLE GRIP

Comfortable rubber grip provides for extra protection against slippage.

Meets ASME B30.21

5 YEAR WARRANTY

THE ADVANTAGES OF THE SHORTER HANDLE

LESS WEIGHT TO TRANSPORT

Reduces the overall weight of the hoist, making it even easier to carry and operate.

FITS IN SMALL WORK AREAS

The smaller handle allows the Series 653 to fit into confined work areas.

MAKE THE FULL ROTATION

Take full advantage of the 360° rotating handle with less worry of obstructions.

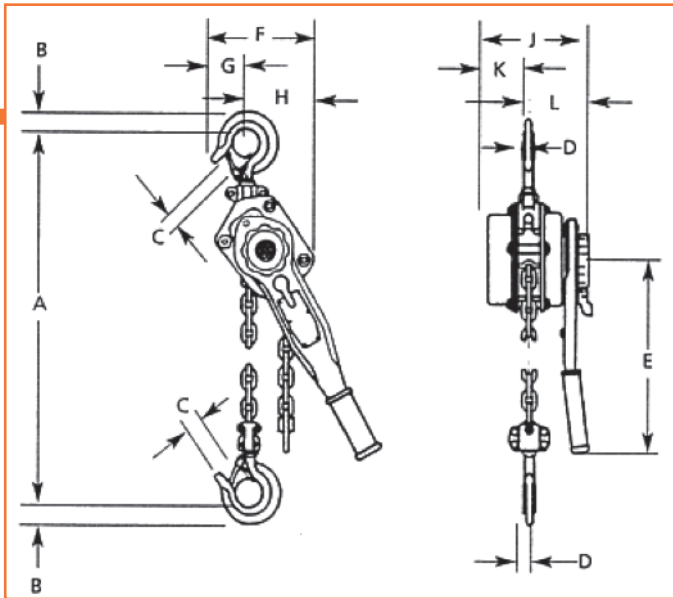


*WARNING

Overloading and improper use can result in injury.

To avoid injury:

- Do not exceed working load limit, load rating capacity
- Do not use to lift people or loads over people.
- use only alloy chain for overhead lifting.
- Read and follow all instructions.



Series 653 lever operated hoist-specifications

| | Capacity (tons) | Product code | Net Wt. (lbs.) |
|---------------------|-----------------|--------------|----------------|
| Upper Shipyard hook | 1 1/2 | 3315WLP | 2.9 |
| | 3 | 3303WLP | 4.9 |
| Lower Shipyard hook | 1 1/2 | 3415WLP | 2.1 |
| | 3 | 3403WLP | 4.8 |

| Product Code | Max. Capacity (tons) | Standard Lift (ft.) | Approx. Shipping wt. (lbs.) |
|--------------|----------------------|---------------------|-----------------------------|
| 5336 | 1 1/2 | 5 | 27 |
| 5337 | 1 1/2 | 5 | 28 |
| 5338 | 3 | 5 | 45 |
| 5339 | 3 | 5 | 46 |

Specifications

| Product code | Load rating (tonnes) | Lift or reach (ft.) | Lever pull to lift rated load (lbs.) | Approx. ship wt. (lbs.) | A | B | C | D | E | F | G | H | J | K | L |
|--------------|----------------------|---------------------|--------------------------------------|-------------------------|----------------------------------|---------------------------------|--------------------------------|-------------------------------|--------------------------------|-------------------------------|--------------------------------|--------------------------------|---------------------------------|-------------------------------|---------------------------------|
| 5310 | 3/4 | 5 | 33 | 15.0 | 12 ⁵ / ₈ | 15/16 | 1 ¹ / ₈ | 11/16 | 9 ¹ / ₄ | 4 ³ / ₈ | 2 ³ / ₁₆ | 2 ³ / ₁₆ | 5 ¹⁵ / ₁₆ | 2 ³ / ₈ | 3 ⁹ / ₁₆ |
| 5311 | 3/4 | 10 | 33 | 15.8 | 12 ⁵ / ₈ | 15/16 | 1 ¹ / ₈ | 11/16 | 9 ¹ / ₄ | 4 ³ / ₈ | 2 ³ / ₁₆ | 2 ³ / ₁₆ | 5 ¹⁵ / ₁₆ | 2 ³ / ₈ | 3 ⁹ / ₁₆ |
| 5312 | 3/4 | 15 | 33 | 16.6 | 12 ⁵ / ₈ | 15/16 | 1 ¹ / ₈ | 11/16 | 9 ¹ / ₄ | 4 ³ / ₈ | 2 ³ / ₁₆ | 2 ³ / ₁₆ | 5 ¹⁵ / ₁₆ | 2 ³ / ₈ | 3 ⁹ / ₁₆ |
| 5313 | 3/4 | 20 | 33 | 17.3 | 12 ⁵ / ₈ | 15/16 | 1 ¹ / ₈ | 11/16 | 9 ¹ / ₄ | 4 ³ / ₈ | 2 ³ / ₁₆ | 2 ³ / ₁₆ | 5 ¹⁵ / ₁₆ | 2 ³ / ₈ | 3 ⁹ / ₁₆ |
| 5328 | 1 | 5 | 44 | 15.0 | 12 ⁵ / ₈ | 15/16 | 1 ¹ / ₈ | 11/16 | 9 ¹ / ₄ | 4 ³ / ₈ | 2 ³ / ₁₆ | 2 ³ / ₁₆ | 5 ¹⁵ / ₁₆ | 2 ³ / ₈ | 3 ⁹ / ₁₆ |
| 5315 | 1 1/2 | 5 | 51 | 27.0 | 14 ³ / ₁₆ | 1 ¹ / ₈ | 1 ¹ / ₄ | 13/16 | 13 | 4 ³ / ₈ | 2 ³ / ₈ | 2 ³ / ₈ | 6 ⁷ / ₈ | 3 | 3 ¹⁵ / ₁₆ |
| 5316 | 1 1/2 | 10 | 51 | 31.4 | 14 ³ / ₁₆ | 1 ¹ / ₈ | 1 ¹ / ₄ | 13/16 | 13 | 4 ³ / ₈ | 2 ³ / ₈ | 2 ³ / ₈ | 6 ⁷ / ₈ | 3 | 3 ¹⁵ / ₁₆ |
| 5317 | 1 1/2 | 15 | 51 | 35.8 | 14 ³ / ₁₆ | 1 ¹ / ₈ | 1 ¹ / ₄ | 13/16 | 13 | 4 ³ / ₈ | 2 ³ / ₈ | 2 ³ / ₈ | 6 ⁷ / ₈ | 3 | 3 ¹⁵ / ₁₆ |
| 5318 | 1 1/2 | 20 | 51 | 40.2 | 14 ³ / ₁₆ | 1 ¹ / ₈ | 1 ¹ / ₄ | 13/16 | 13 | 4 ³ / ₈ | 2 ³ / ₈ | 2 ³ / ₈ | 6 ⁷ / ₈ | 3 | 3 ¹⁵ / ₁₆ |
| 5329 | 2 | 5 | 68 | 27.0 | 14 ¹³ / ₁₆ | 1 ¹ / ₈ | 1 ¹ / ₄ | 13/16 | 16 ¹ / ₄ | 4 ³ / ₈ | 2 ³ / ₈ | 2 ³ / ₈ | 6 ⁷ / ₈ | 3 | 3 ¹⁵ / ₁₆ |
| 5320 | 3 | 5 | 77 | 45.0 | 18 ¹¹ / ₁₆ | 1 ¹³ / ₁₆ | 1 ⁹ / ₁₆ | 1 ¹ / ₄ | 16 ¹ / ₄ | 7 ¹ / ₂ | 3 ³ / ₈ | 4 ³ / ₁₆ | 7 ⁷ / ₈ | 3 ³ / ₈ | 4 ⁹ / ₁₆ |
| 5321 | 3 | 10 | 77 | 52.3 | 18 ¹¹ / ₁₆ | 1 ¹³ / ₁₆ | 1 ⁹ / ₁₆ | 1 ¹ / ₄ | 16 ¹ / ₄ | 7 ¹ / ₂ | 3 ³ / ₈ | 4 ³ / ₁₆ | 7 ⁷ / ₈ | 3 ³ / ₈ | 4 ⁹ / ₁₆ |
| 5330 | 6 | 5 | 77 | 78.0 | 23 ¹ / ₄ | 1 ¹³ / ₁₆ | 2 ³ / ₁₆ | 1 ¹ / ₂ | 16 ¹ / ₄ | 7 ¹ / ₂ | 3 ³ / ₈ | 4 ³ / ₁₆ | 7 ⁷ / ₈ | 3 ³ / ₈ | 4 ⁹ / ₁₆ |
| 5331 | 6 | 10 | 77 | 94.0 | 23 ¹ / ₄ | 1 ¹³ / ₁₆ | 2 ³ / ₁₆ | 1 ¹ / ₂ | 16 ¹ / ₄ | 7 ¹ / ₂ | 3 ³ / ₈ | 4 ³ / ₁₆ | 7 ⁷ / ₈ | 3 ³ / ₈ | 4 ⁹ / ₁₆ |
| 5332 | 6 | 15 | 77 | 110.0 | 23 ¹ / ₄ | 1 ¹³ / ₁₆ | 2 ³ / ₁₆ | 1 ¹ / ₂ | 16 ¹ / ₄ | 7 ¹ / ₂ | 3 ³ / ₈ | 4 ³ / ₁₆ | 7 ⁷ / ₈ | 3 ³ / ₈ | 4 ⁹ / ₁₆ |
| 5333 | 6 | 20 | 77 | 126.0 | 23 ¹ / ₄ | 1 ¹³ / ₁₆ | 2 ³ / ₁₆ | 1 ¹ / ₂ | 16 ¹ / ₄ | 7 ¹ / ₂ | 3 ³ / ₈ | 4 ³ / ₁₆ | 7 ⁷ / ₈ | 3 ³ / ₈ | 4 ⁹ / ₁₆ |



Shipyard hooks are available for use with the Series 653 in shipbuilding and metal fabrication industries. The upper shipyard hook replaces the standard hook and easily attaches to the body of the hoist. The lower hook is furnished with a chain block for direct attachment to the load of the hoist. Shipyard hooks are excellent for positioning steel plate and fixtures during welding applications.